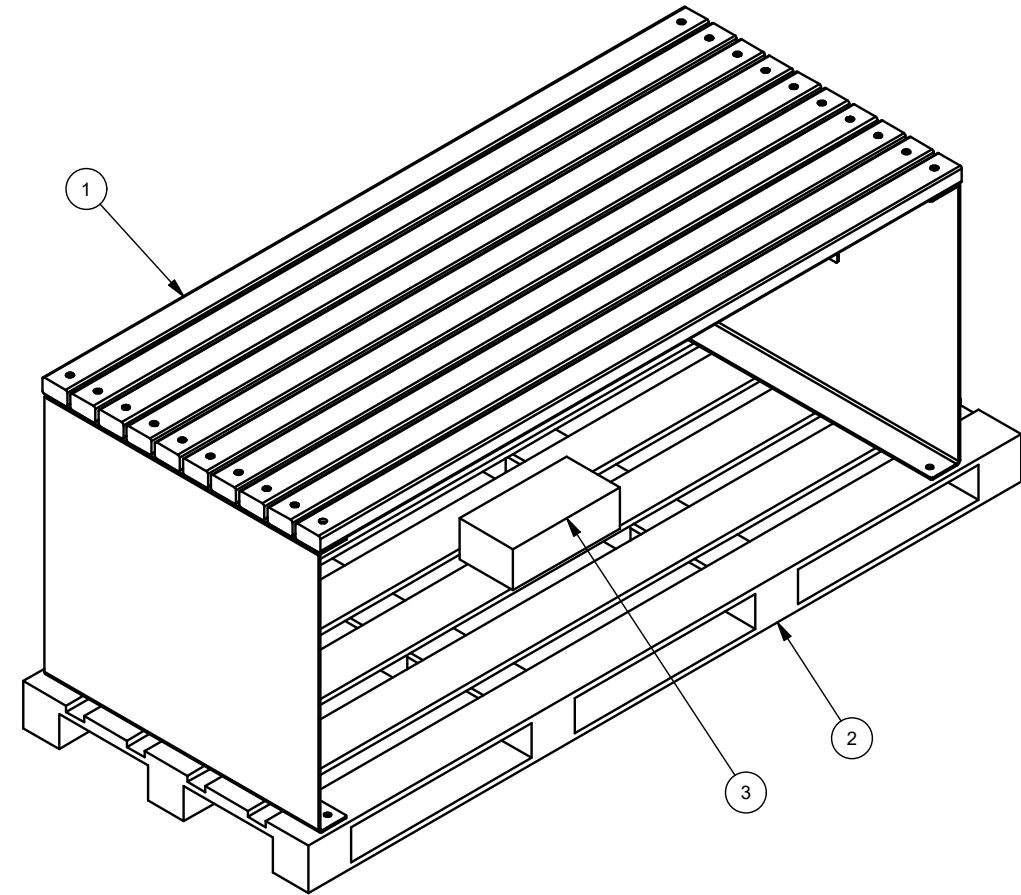
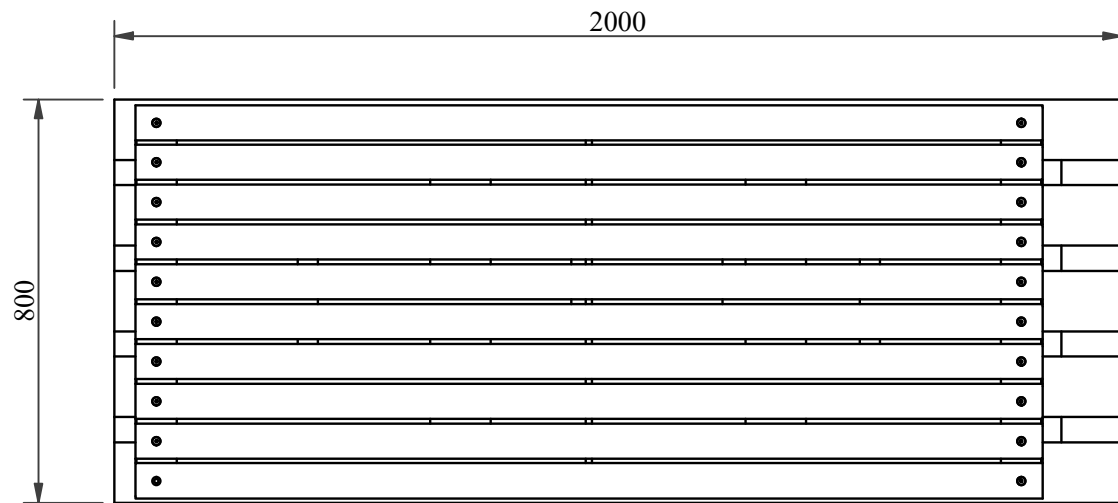
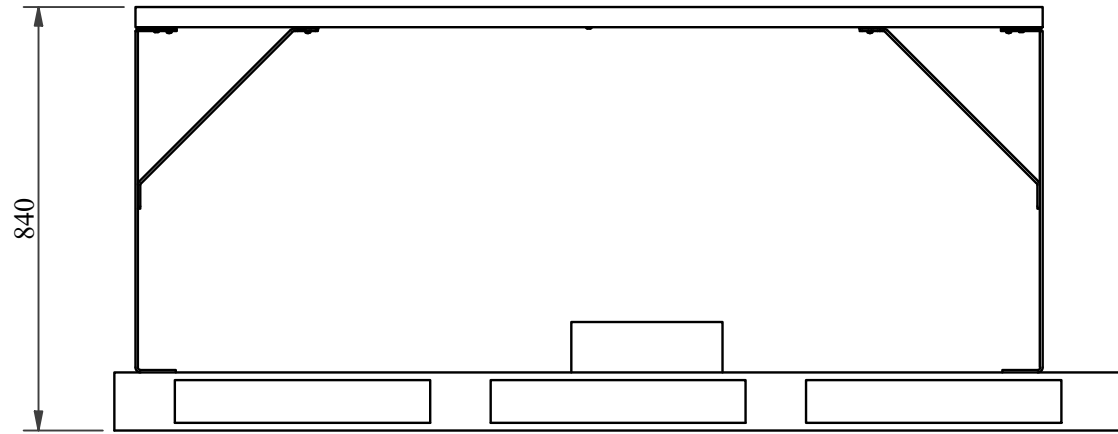


This drawing is property of HITSA A/S and may not be copied or used by third person.



This drawing is property of HITSA A/S and may not be copied or used by third person.

Partlist			
Pos.	Part Number	Qty.	Description
1	545305425	1	
2	ESPEC pallet	1	
3	Bolts and connections	1	

LINN_TABLE_SURFACE: 82 kg
 Pallet: 22kg
 Can be stored outside under roof
 Can not be stabled
 Max packing on 1 pallet: 2 stk.

A	Released	22-12-2023	CAS
REV	DESCRIPTION	DATE	APPROVED
Material:			Mass: 106,3 kg
Drawn by : cas / 22-12-2023		Rev: A - CAS / 22-12-2023	
Scale 1 : 15	Sheet Size A3	Sheet No. 1 / 1	Description: LINN_TABLE_SURFACE
All dimensions are in mm. Gen Tol : DS/ISO 2768-1 G		Drawing No. : LINN_TABLE_SURFACE_Packing.idw	

HITSA
 WE SUPPLY OUTDOOR SPACES